

Frozen Frozen granita, creams and soft- ice cream dispenser with 1 bowl

ITEM # _____

MODEL # _____

NAME # _____

SIS # _____

AIA # _____


562514 (GTIPR290)

 Frozen Granita, Frozen
 Cream and Soft Ice Cream
 Dispenser with 1x5 l
 insulated bowl, R290

Short Form Specification

Item No. _____

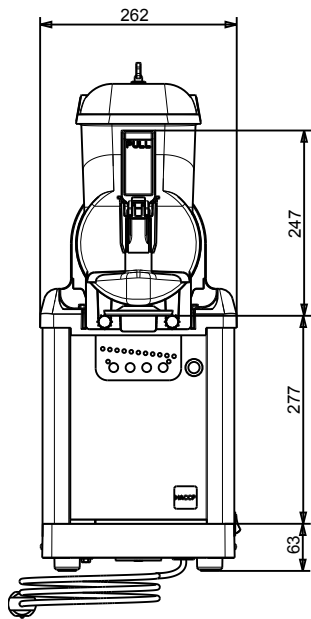
1x5lt counter machine, dispensing smooth soft ice-cream, cold cream, sorbet and frozen yogurt. It works with water or milk/based dried products or with brik mixtures ready to be poured into the bowl. The ITANK™ Technology prevents ice accumulation on the outer side of the bowl. LED-based electronic keypad. Safety stop system and USB customizable software.

Main Features

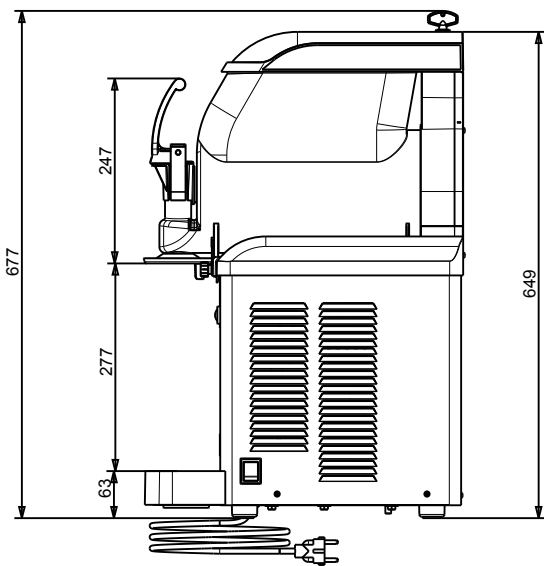
- Compact counter machine, dispensing smooth soft ice-cream, cold cream, sorbet and frozen yogurt; it can be used also for slush.
- Works with water or milk/based dried products or with brik mixtures ready to be poured into the bowl.
- The ITANK™ Technology prevents ice accumulation on the outer side of the bowl, reducing condensation and increasing the cooling power of the machine.
- LED-based electronic keypad.
- Safety stop system.
- USB customizable software.
- The insulated tank guarantees higher cooling efficiency and lower effect of the external temperature on product's preparation and maintenance time reducing condense and draining; it is the best solution in hot climate conditions.
- Easy to use thanks to the adjustable push button control panel: when pressing it the rotation speed raises and the product is pushed out easily.

APPROVAL: _____

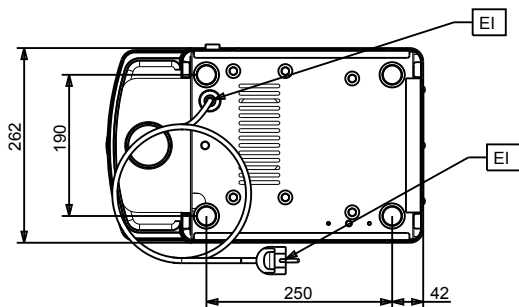
Front



Side



Top



Electric

Supply voltage:

562514 (GTIPR290) 220-240 V/1 ph/50 Hz

Electrical power max.:

0.42 kW

Key Information:

External dimensions, Width: 260 mm

External dimensions, Depth: 425 mm

External dimensions, Height: 650 mm

Net weight: 28 kg

Sustainability

Refrigerant type:

R290